

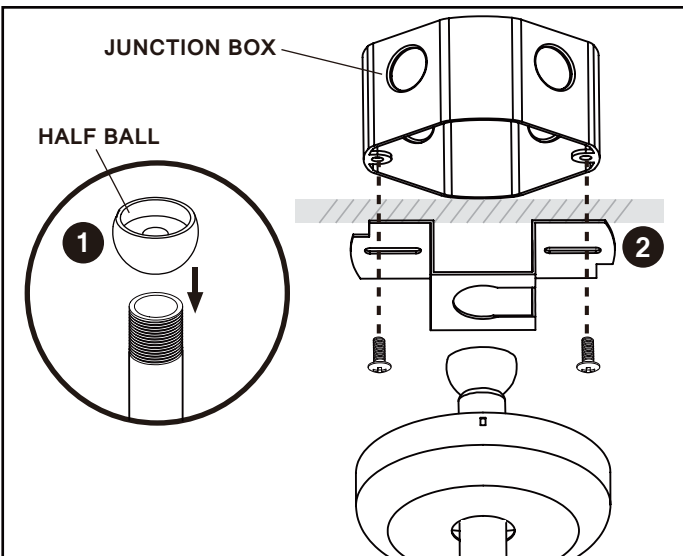
# ADVANCED HIGH CEILING 4" Cylinder Series - Stem (DMX)



## IMPORTANT SAFETY INFORMATION. READ AND FOLLOW ALL SAFETY INSTRUCTIONS

IMPORTANT SAFETY INFORMATION. READ AND FOLLOW ALL SAFETY INSTRUCTIONS. Before wiring to power supply and during servicing or relamping, turn off power at fuse or circuit breaker. All servicing or relamping must be performed by qualified service personnel. Product must be grounded to avoid potential electric shock or other potential hazard. Product must be at locations and at heights and in a manner consistent with its intended use, and in compliance with Electrical Code and local codes.

**SAVE THESE INSTRUCTIONS FOR FUTURE REFERENCE.**



### Step 1

Secure half ball with stem.

### Step 2

Attach swivel crossbar to junction box (by others).

### Step 3

Loop the safety cable around swivel crossbar.

### Step 4

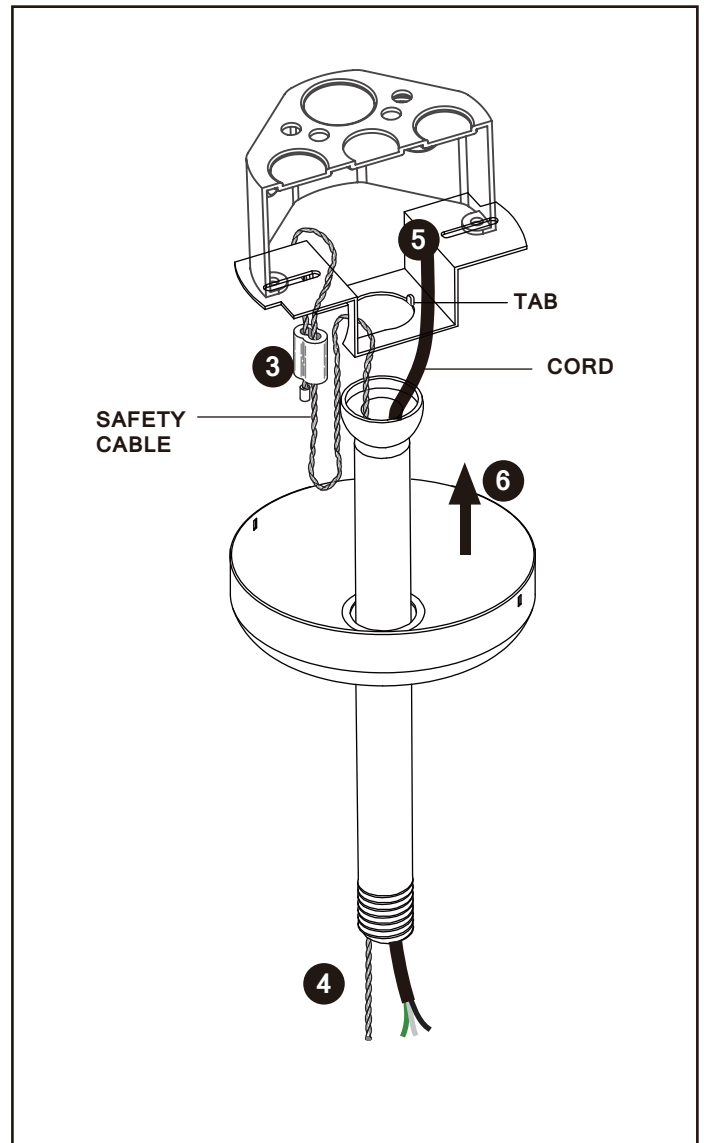
Feed the safety cable and power cord through the stem and insert half ball joint into slot on swivel crossbar. Align the slot on ball joint with the tab on the swivel crossbar.

### Step 5

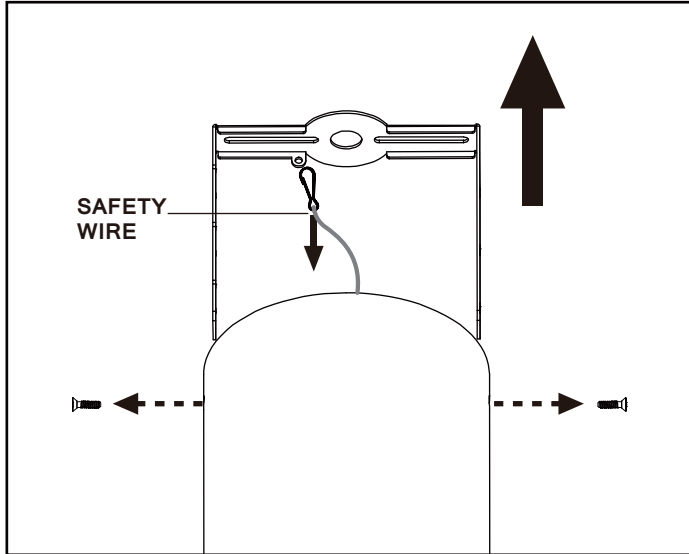
Make electrical connections in junction box. (See below)

### Step 6

Install canopy cover by aligning the tabs on crossbar with slots in the cover.

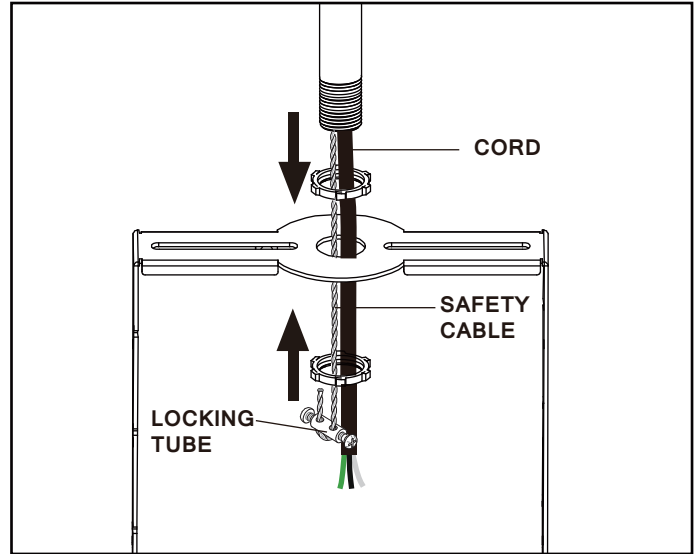


# ADVANCED HIGH CEILING 4" Cylinder Series - Stem (DMX)



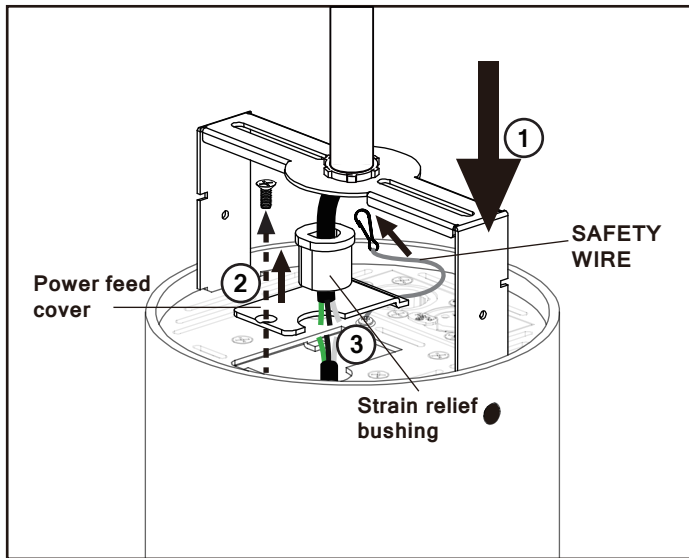
### Step 7

Loosen two screws on the side of fixture and unhook the safety wire. Remove the bracket from fixture.



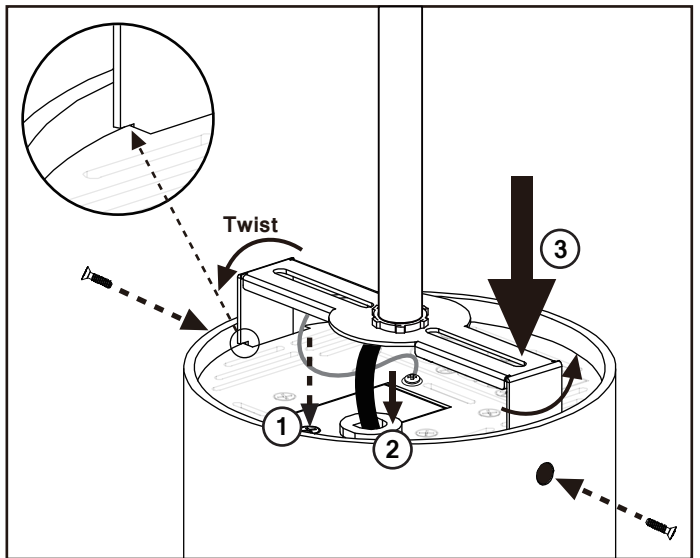
### Step 8

Slide stem through bracket and screw nuts on both sides of bracket. Ensure stem is securely fastened to bracket. Insert the safety cable through cable slot on bracket and loop the cable using locking tube on the other side of stem and tighten the screws.



### Step 9

1. Insert bracket into fixture, hook safety wire to bracket. .
  2. Loosen the screw and remove the power feed cover.
  3. Make electrical connections inside fixture. See wiring diagrams.
- \*Cut the cord to the desired length and strip leads before connection.



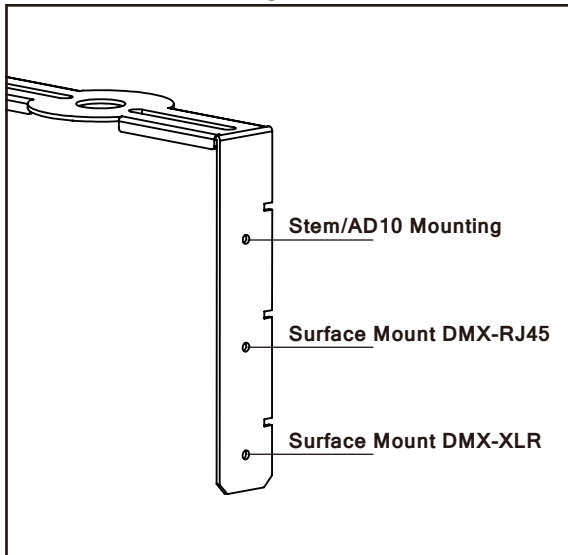
### Step 10

1. Secure power feed cover on the lid.
2. Attach strain relief bushing to cord and insert it through the hole. Make sure strain relief bushing is secured.
3. Adjust the height of bracket by aligning the slots in bracket to the lid. See DMX bracket diagram next page. Twist the bracket and secure by screws.

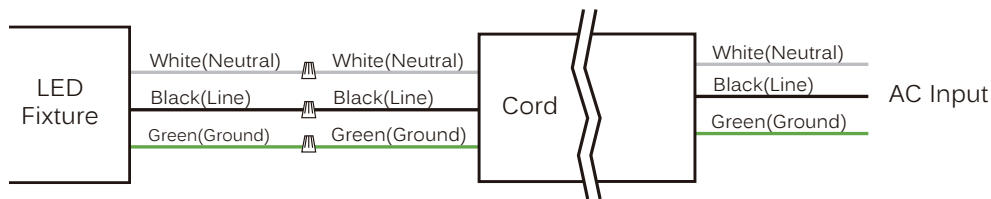
# ADVANCED HIGH CEILING 4" Cylinder Series - Stem (DMX)



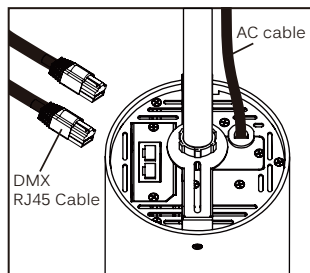
## DMX Bracket Diagram



## DMX

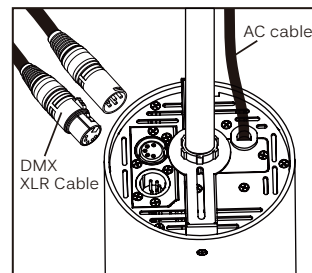


### RJ45



Connect DMX by using a standard shielded CAT5/6 cable.

### XLR



Connect DMX by using a standard DMX512 XLR cable with 5 pin in/out connector (by others).

**\*The last fixture has to be terminated with a DMX Terminator (by others).**